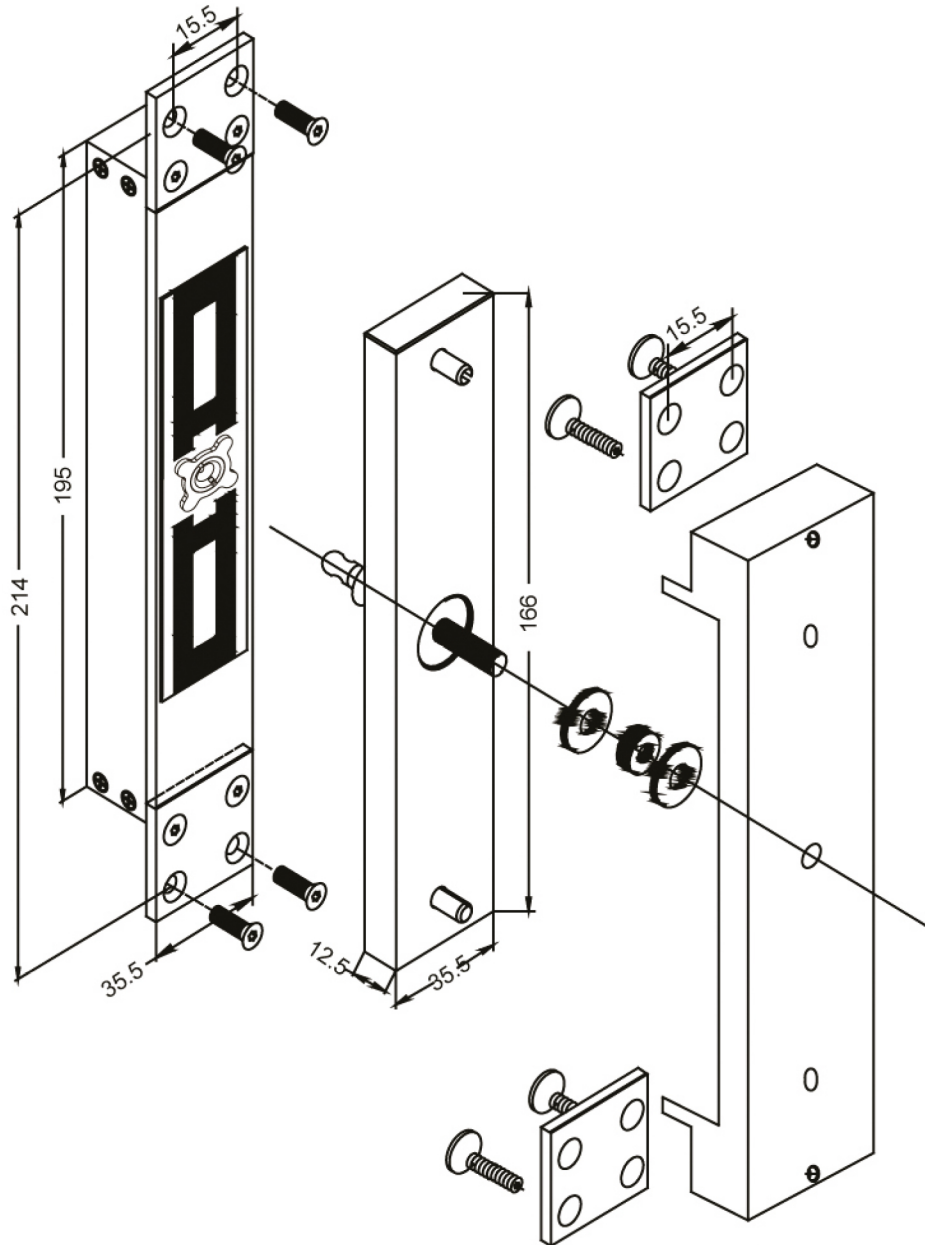


## TECHNICAL DESIGNS:

### 1. DIMENSIONS



### 2. WIRING

