

ScenicLiving Slatted Composite Cladding.

SPECIFICATION DATA

ScenicLiving slatted cladding combines the natural look and texture of wood with the durability of advanced modern materials, providing long-lasting performance with minimal maintenance.

Composite cladding has none of the usual drawbacks of timber, such as warping, rotting, or requiring regular painting/staining. A simple cleaning routine every six months or so is all that is needed to keep it looking its best, and a long-life warranty provides additional peace of mind.

ScenicLiving cladding is a stylish and durable way to update the look of interior and exterior walls. It is an ideal solution for home renovations, extensions, and structures such as home office pods, garden rooms.

Beyond residential use, it is a smart choice for commercial environments. Offices, hotels, restaurants etc can all benefit from its refined, professional look in high profile areas, such as terraces, gardens, lobbies, receptions, conferencing facilities, or dining areas.

Designed with installers in mind, these extra-large five slat cladding modules reduce fixing time over a project, when compared to smaller three or four slat systems, and are available with a comprehensive range of accessories, including aluminium clips and starter bars, colour-matched trims, and fixing and locking screws. Dimensions /weights are shown overleaf and full installation instructions are available.

Material

Composite, comprising reclaimed wood fibres and recycled plastic

Cladding Pattern

5 x 26mm battens with 12mm shadow gaps

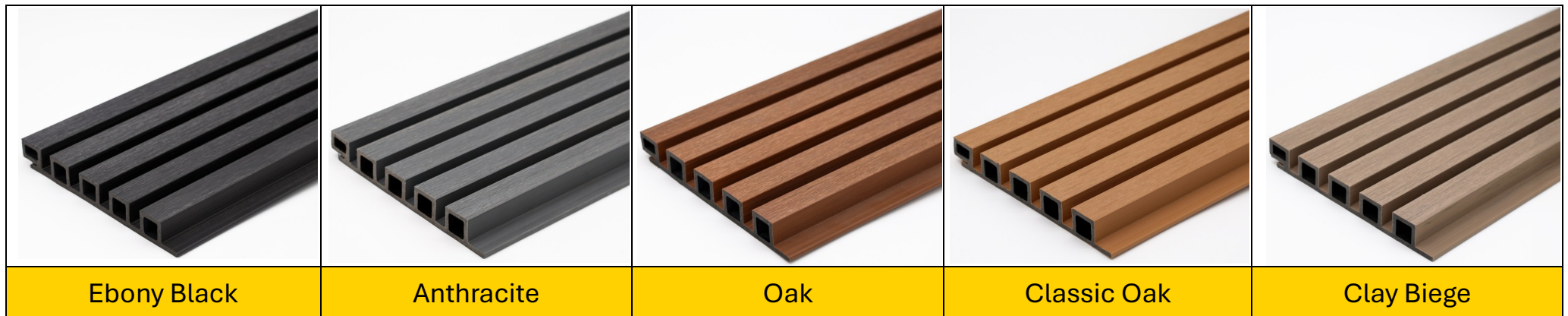
Warranty

25 Years

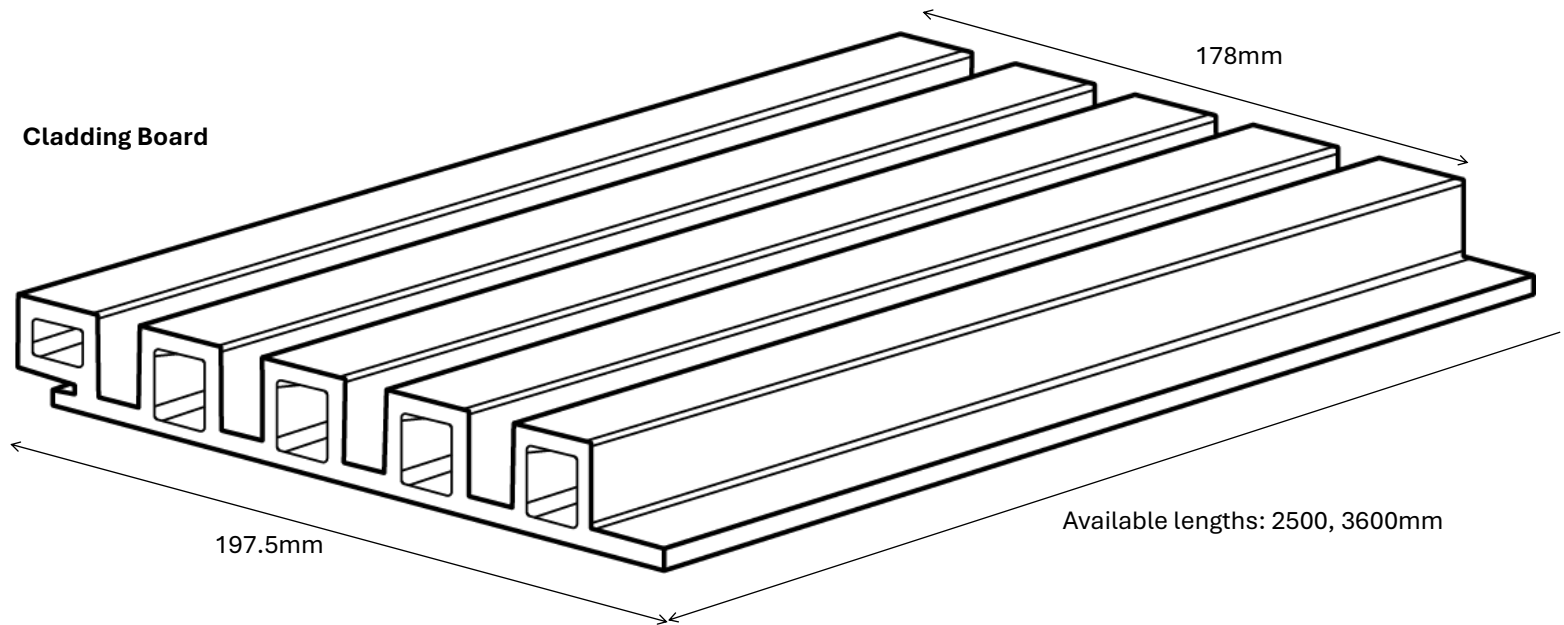
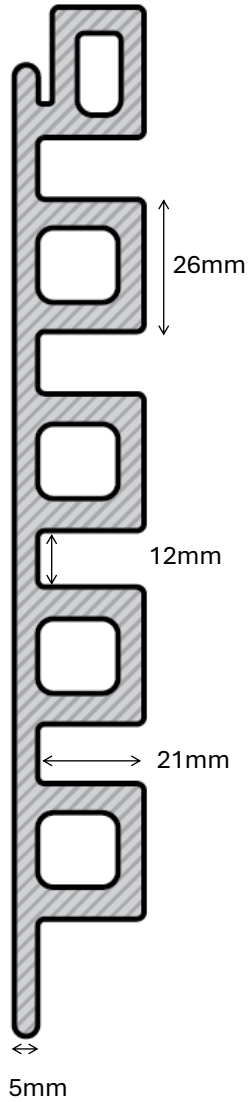
Specification details available in NBS format



Colours



Dimensions & Unit Weights



Length (mm)	Weight (kg)
2500	7.44
3600	10.42

ScenicLiving
Slatted Cladding Board

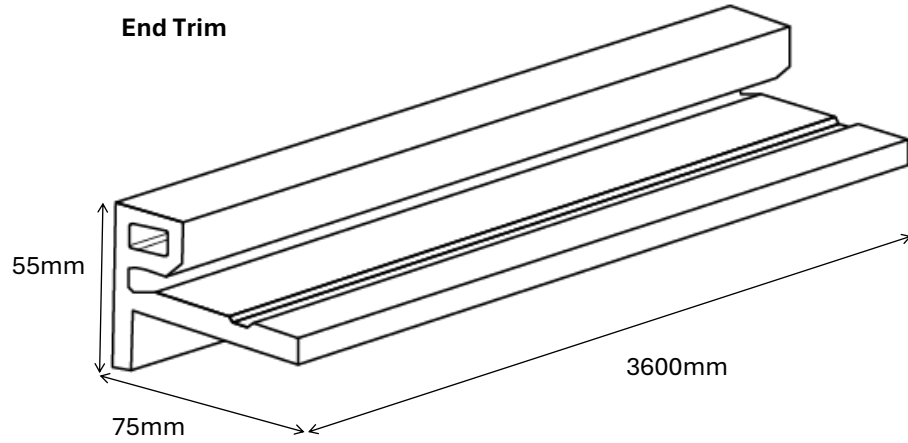
© BM Architectural

BM Architectural, 293 Coleford Road, Sheffield S9 5NF
Tel: 0114 254 3226 | Email: sales@bmarchitectural.com | bmarchitectural.com

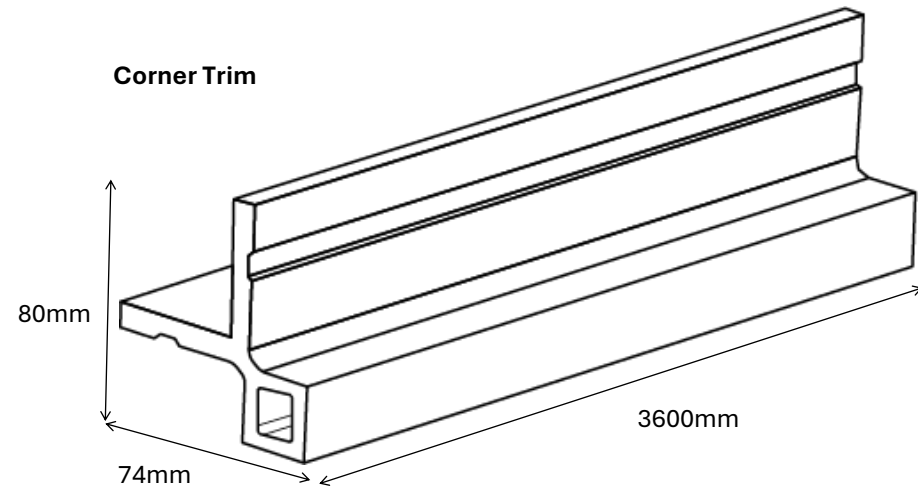
BMARCHITECTURAL

Dimensions & Unit Weights

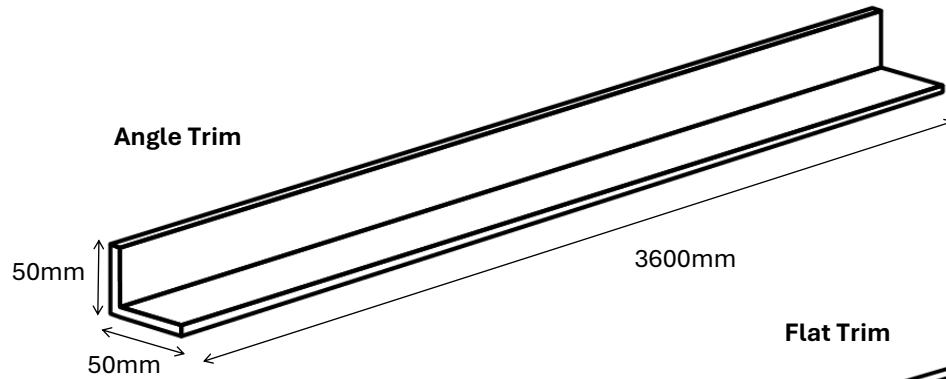
End Trim



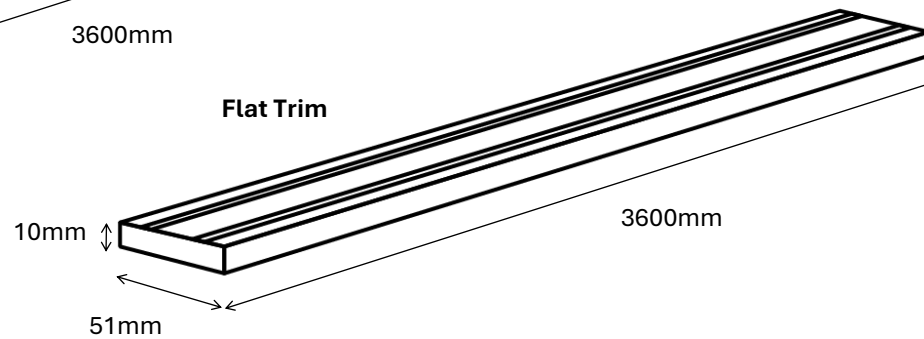
Corner Trim



Angle Trim



Flat Trim



Item	Weight (kg)
End Trim	5.3
Corner Trim	5.5
Angle Trim	2.4
Flat Trim	2.1

ScenicLiving

Slatted Cladding Accessories

© BM Architectural

BM Architectural, 293 Coleford Road, Sheffield S9 5NF

Tel: 0114 254 3226 | Email: sales@bmarchitectural.com | bmarchitectural.com

BMARCHITECTURAL