

ScenicLiving

By

BMARCHITECTURAL

INSTALLATION GUIDANCE

ScenicLiving

Slatted Composite Fencing



Important Notes

The diagrams and instructions outlined in this guide are for illustrative purposes only. Slatted profiles are not shown on fence units.

Installation is shown for the aluminium post system. ScenicLiving Slatted Composite Fencing Panels and Top/Bottom Rails can also be used with existing concrete posts; U-Channels and U-Channel Caps are provided for this purpose. Select preferred kit when ordering.

Safety

Please take safety precautions before installing the fencing. Check that any equipment is working properly, and wear protective safety gear such as gloves, goggles, and impact resistant shoes.

Environment

Installation requires a clean, smooth and level surface. Check with local building regulations before installing any type of fencing (e.g. height/location of fence.). If installation is not carried out within a timely manner following receipt of the composite fencing components, the components should be stored on a flat surface at all times. Never place on an uneven surface.

Planning

Plan the layout for your fencing before you begin to ensure you get the best look for your project.

Check to see if any local authority building regulations are applicable prior to any installation.

Kit Contents – Multiple Kits Required to Form a Fencing Run

7 / 9 / 11 × Slatted Composite Boards – For 4ft / 5ft / 6ft height (1830mm wide x 163mm high x 20mm deep - 155mm high when stacked)

1 × Aluminium Top Rail – Black (1830mm wide)

1 × Aluminium Bottom Rail – Black (1830mm wide)

2 × L-Connectors – Black

2 × Flat Connectors – Black

6 × Self-Tapping Screws - Black

1 × Aluminium Fence Post – Black (2400mm)

1 x Post Cap and Skirt

1 x Post Cover (Blanking Insert)

End Post Kit (sold separately) – Required at end of run

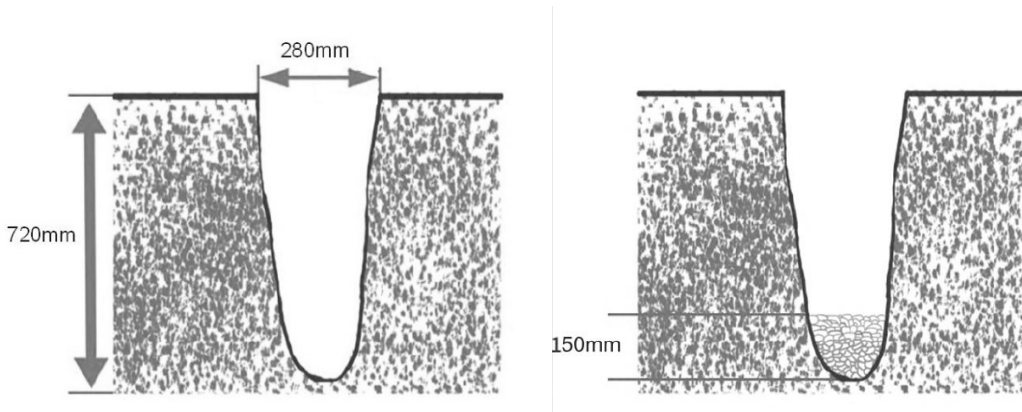
Optional: Support post for fixing to concrete

Fixing into Ground

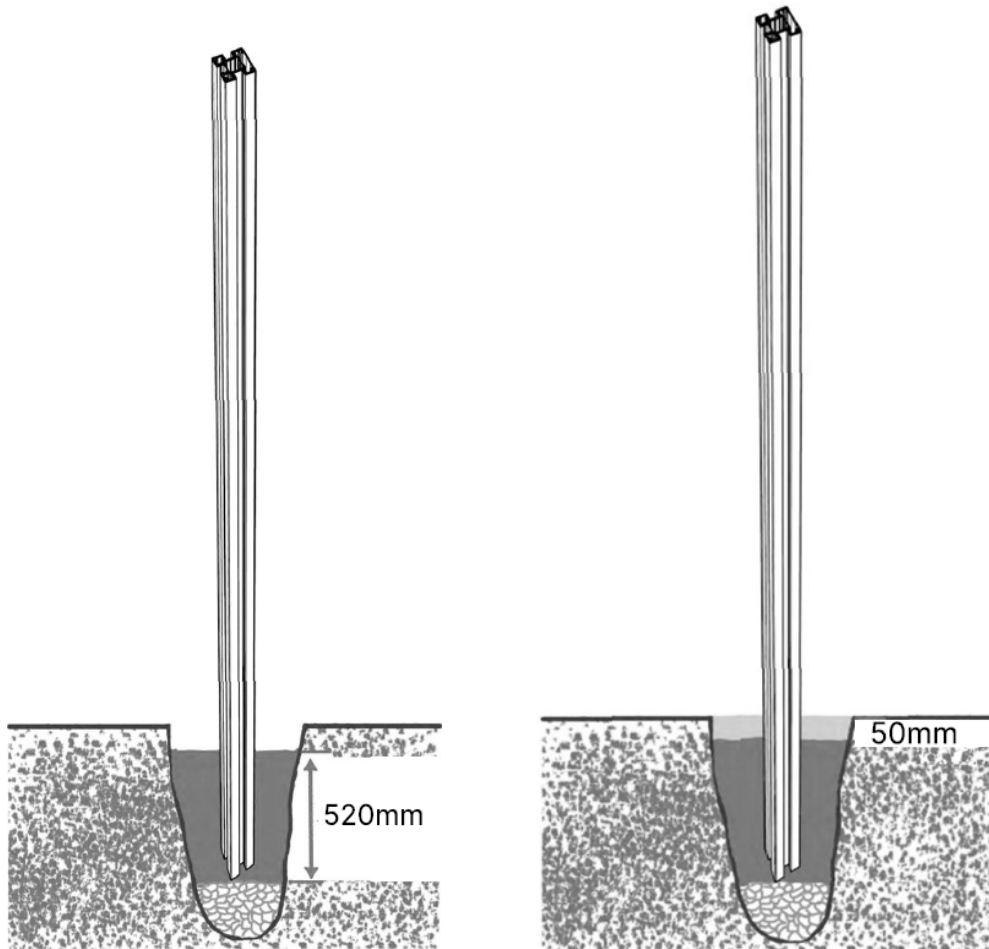
Recommended posts centres are 1870mm.

Measure the centre distance for installing the aluminium fencing posts.

Dig holes at the measured positions, approximately 720mm deep with a diameter about four times the post diameter. Place 150mm of gravel at the bottom of the hole.



Insert the fence posts into the holes, ensuring they are vertical. Pour concrete to 50mm below ground level and fill with sand to ground level.

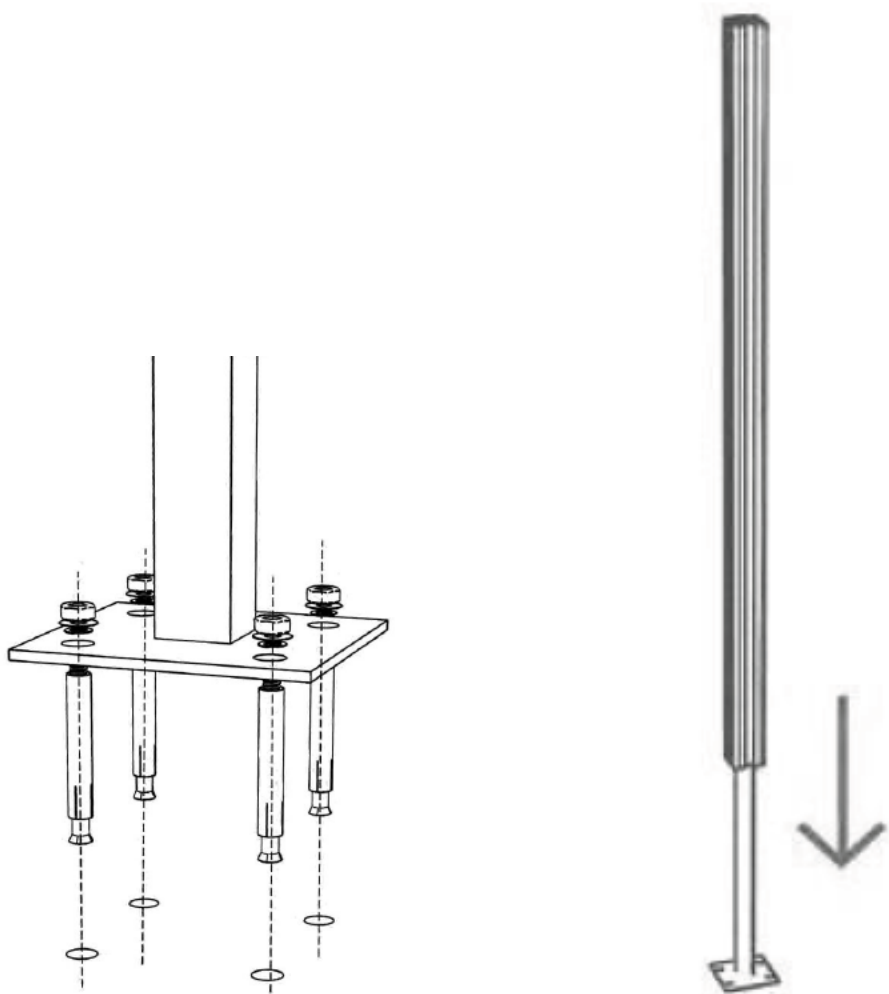


Fixing into Concrete

Maximum 900mm recommended fence height when bolting to concrete. Requires support post.

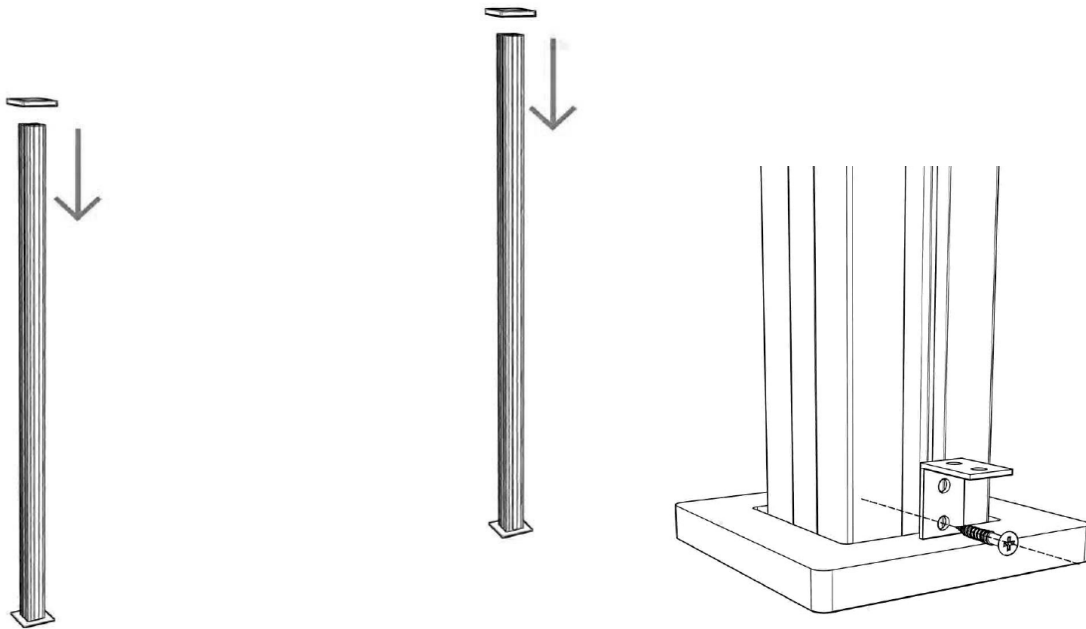
Drill holes in the concrete using an impact drill, aligning with the holes on the base of the support post. Secure the support post using galvanised expansion bolts (not supplied).

Slide the aluminium post over the support post.

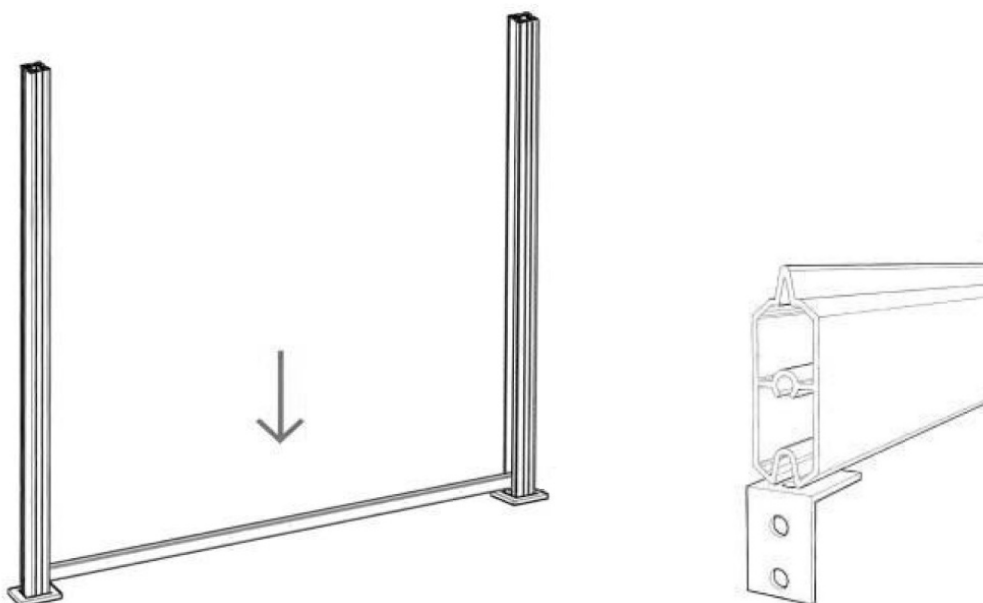


Fencing Board Installation

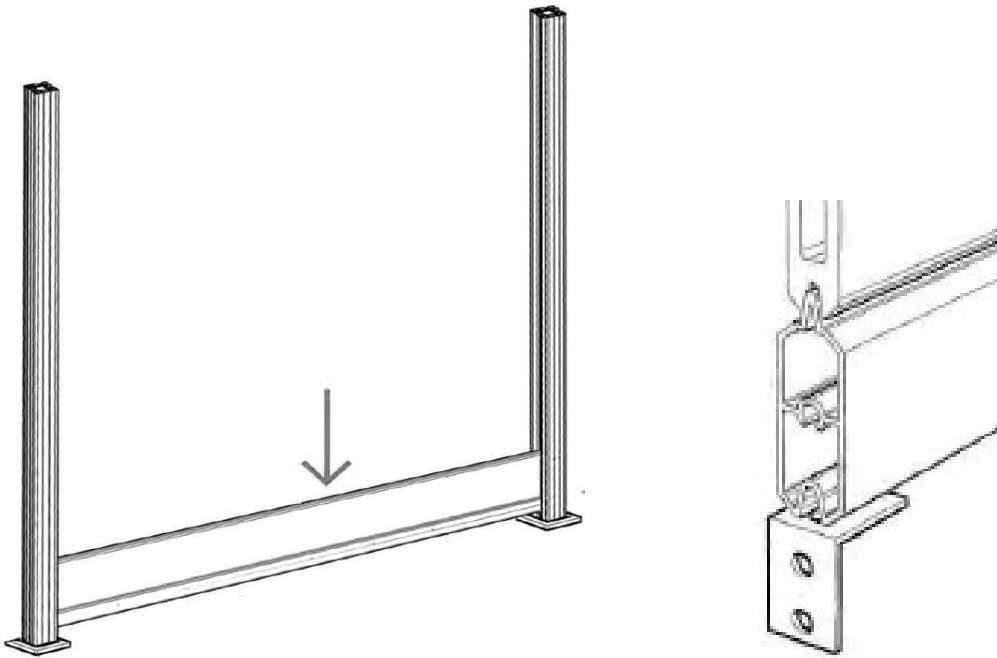
Insert skirts from the top of the fencing posts and slide down to the bottom. Secure L-connectors to the fencing posts using screws supplied.



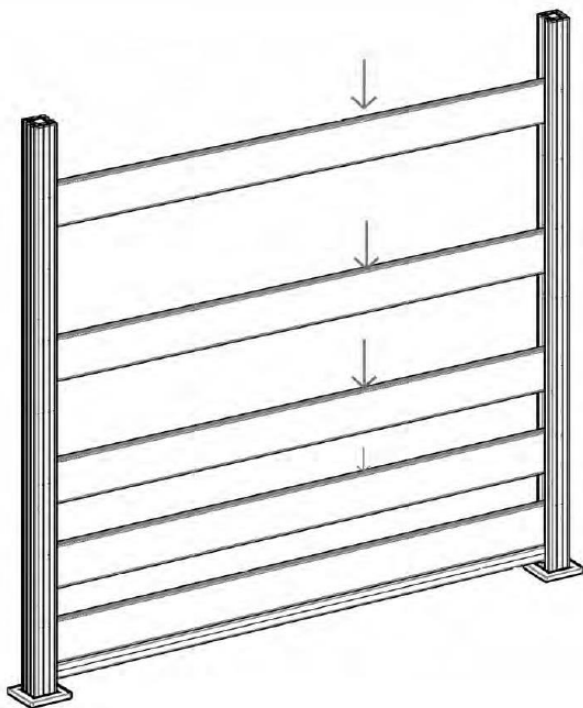
Insert aluminium bottom rail into the fencing posts and slide down into position on to the L-connectors.



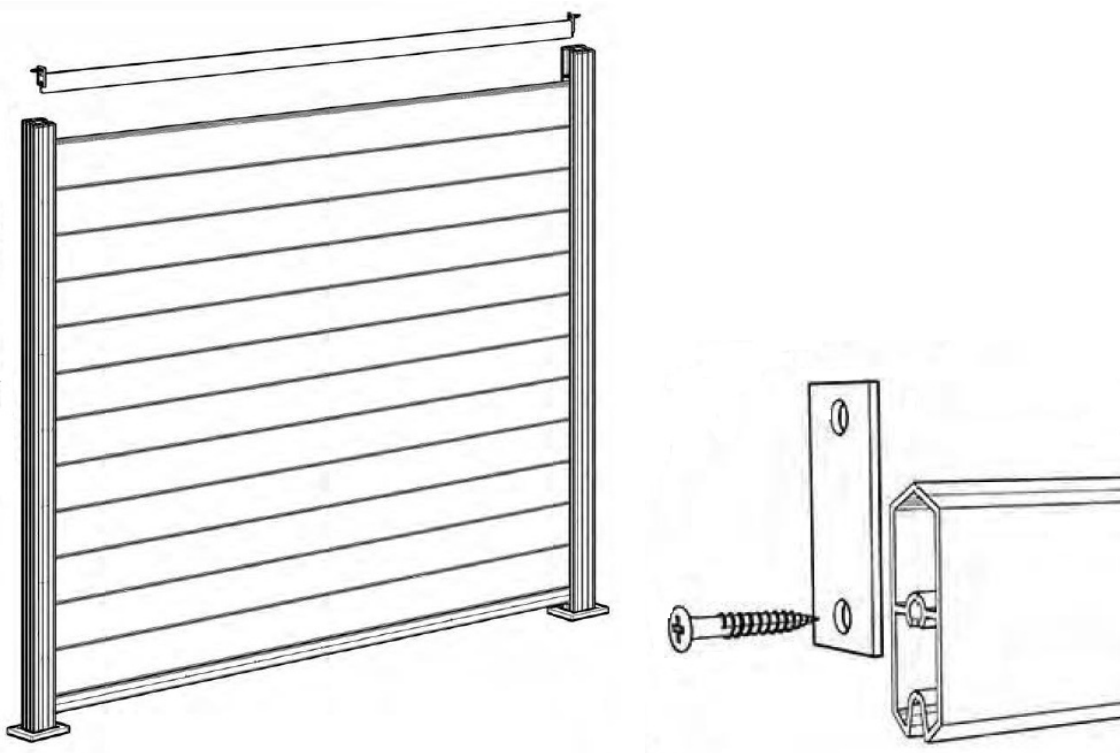
Insert the first slatted fencing board from the top, so tongue-and-groove will interlock, sliding down and locate it on to the bottom rail.



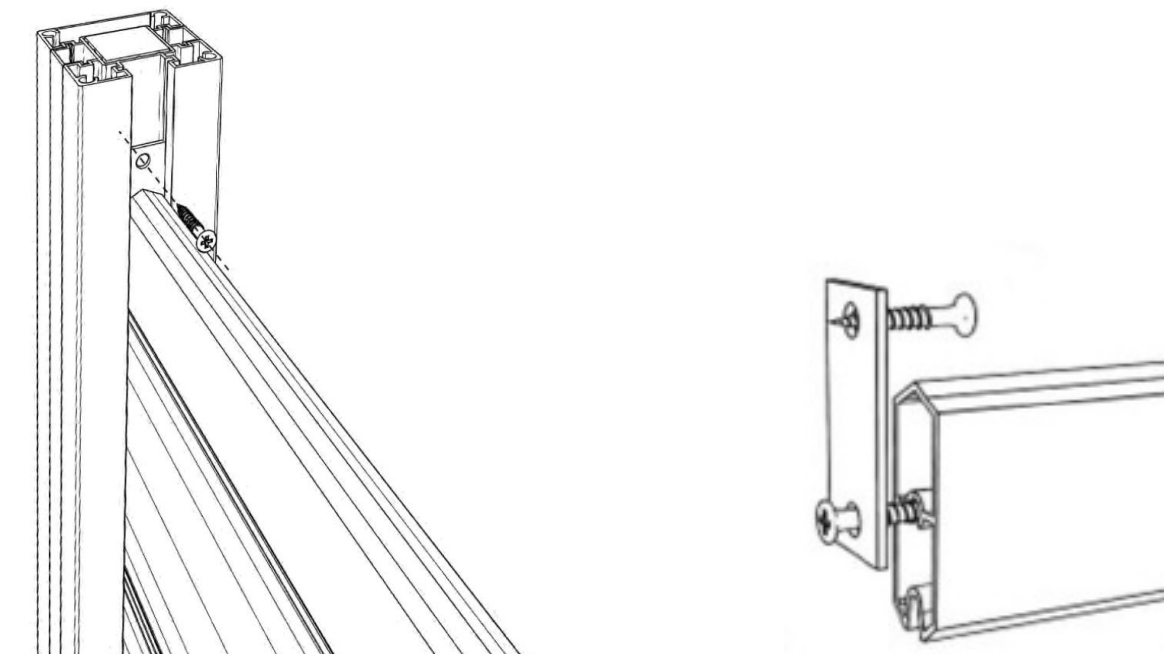
Continue sliding the remaining slatted fencing boards, so the tongue-and-groove design interlocks.



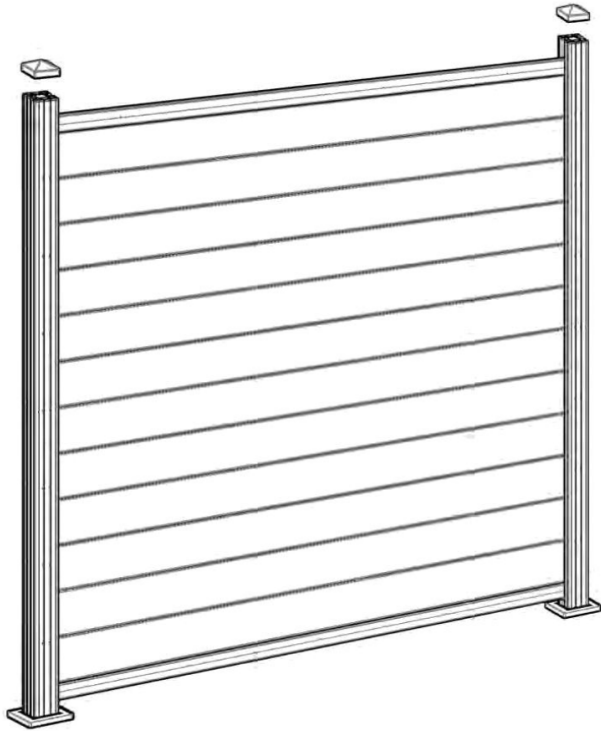
Fix the flat connectors to each side of the aluminium top rail, then insert the rail into the fencing posts.



Use the screws to secure the flat connectors to the fencing posts.



Apply adhesive to fix the post caps on the top of the fencing posts.



Continue the fencing installation in the same way until the desired run is complete. With one post supplied per kit, an additional end post kit is required to complete a run.

