

### THE COMPACT PROFILE

This "Compact Profile" is a handle equipped with a Hybrid locking. With 40 cm only, it is the easy way solution to secure a door or retrofit installation. More secure and reliable than an electric strike and offering over 1 000 000 cycles MTBF!

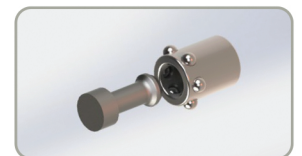
### THE VORTEX TECHNOLOGY

The Vortex is a hybrid locking solution (magnetic and mechanical) smaller than a traditional electromagnetic lock. It guarantees an extremely strong locking (up to ten times more powerful than traditional maglocks on the market). Its tested holding force is 15000 N. This hybrid lock exclusivity is found in a "pin" set carved in a high resistance alloy. This pin is captured inside a hole through the Vortex action of electromagnetic forces. The locking is then secured by the kinetic within the magnetic block.

In case of forced door attempts, the mechanical locking is activated. The « pin » is inexorably trapped inside the hole thanks to the ball bearing included in it. This innovation makes the VORTEX part of 6++ grade standing for the level of holding force which reaches up to 15000N (1 500kgf) and more.

### UNIQUE EARLY WARNING TECHNOLOGY

The Vortex is fitted with a pressure/traction sensor. This EW mechanism allows the Vortex to trigger an alarm BEFORE the access is breached. This is a unique system in the locking world.



### TECHNICAL DATA

- Mounting: Surface (apparent handle)
- Residual magnétism: 0% - By design (No push-pin, no electronic kick-off)
- Locking monitoring (LSS): Built-in reed contact
- Door position monitoring (DSS): Built-in reed contact
- Early break-open warning alarm (EW): Built-in pull dynamic sensor + micro-relay + built-in buzzer
- Built-in MOV surge protection
- Environmental protection/IP Rating <sup>2</sup>: IP 43 (fixed under header)
- Environmental/Temperature: -20°C to +60°C

<sup>2</sup>Electrical connections shall be protected according to the installation environment.

### MAIN FEATURES <sup>1</sup>

- Security/Holding Force: Grade 6++ (15 000N)
- Category of use: Grade 3 (High frequency - Public use)
- Durability/reliability: Grade 9 (> 1 000 000 de cycles)
- Corrosion resistance/humidity/IP protection: Grade 3 (EN 1670, EN ISO 9227)

<sup>1</sup> See chapter 7 Norm EN 13637

### STANDARDISED LABEL

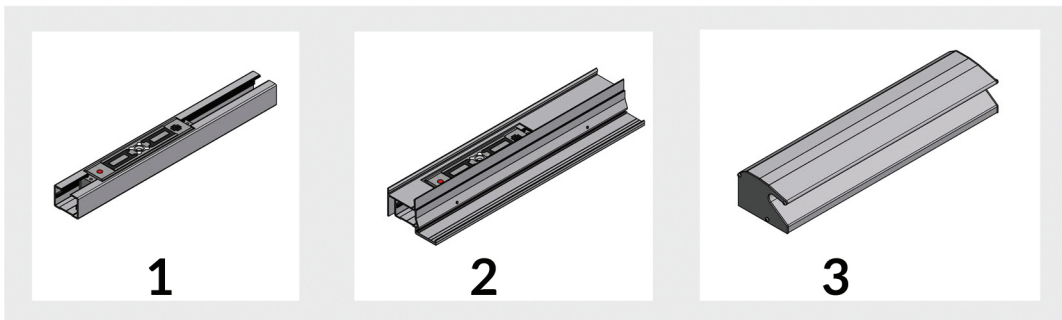
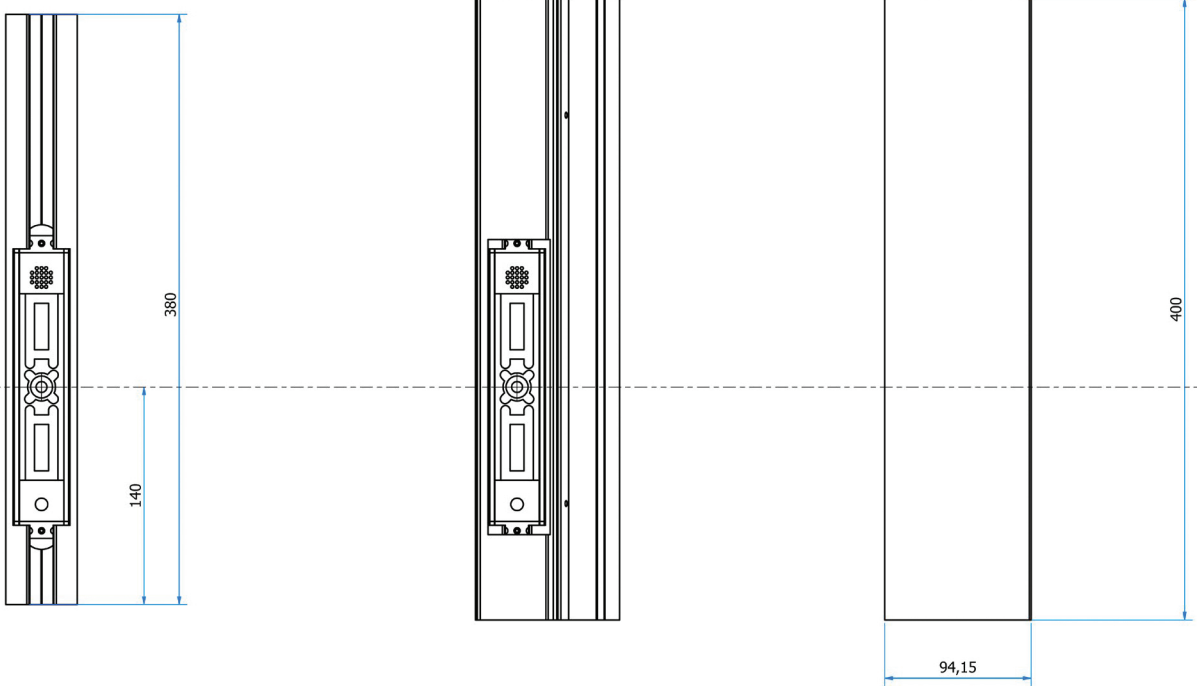
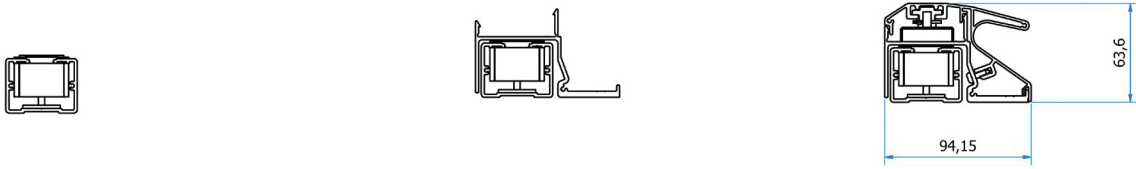
Our main products features are displayed on the products with a certified sticker responding to the EN 13637, chap 7 norm.

3	9	9		1	2	6++	6++	0	0	D
Réf: EN 13637: + Corrosion EN ISO 9227: Grade 3										



NS 561 937

# TECHNICAL DRAWINGS AND DIMENSIONS



## CONTENT:



All product specifications are subject to change without notice.